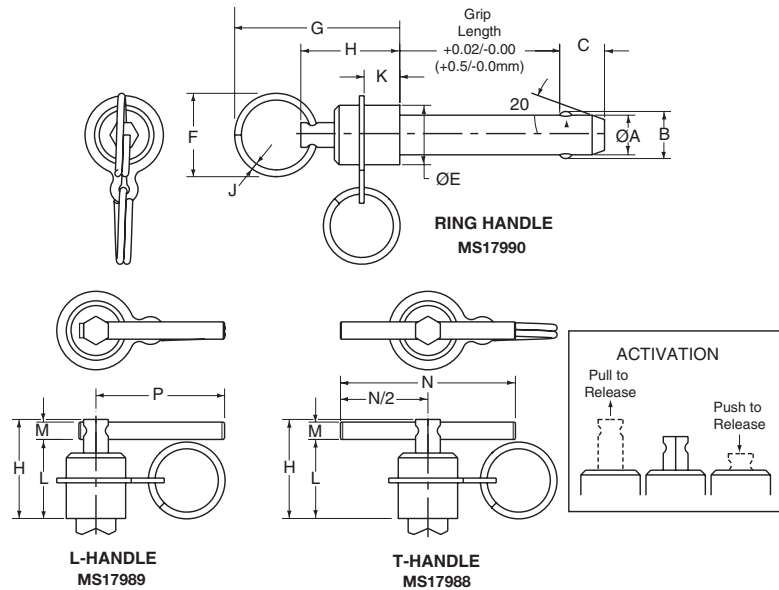




Double Acting T, L, Ring Handles MS17988, MS17989, MS17990 NAS1353-NAS1366



Push/Pull Activation



- Double Acting Pins are activated by push or pull motion
- All stainless steel construction provides additional corrosion resistance
- Body is made from high Strength Stainless Steel, 17-4 PH heat treated.
- Ideal for quick insertion and removal
- Four ball options available upon request
- Includes split ring for easy attachment of optional lanyard.
- Meets or exceeds NASM 23460 specifications
- Drive Out feature available upon request
- Handle + button made from 303 S.S.

Double Acting Specifications – Inch

Nom Pin Dia	Pin Dia A		B ±0.005	C Max	E		F		Max G	H	J	K		Min L	Dia M	N	P
	Min	Max			Min	Max	Min	Max				Min	Max				
3/16(#10)	.1870	.1885	.220	.410	.360	.450	1.000	1.125	1.945	1.030	.080	.415	.480	.780	.109	1.500	1.300
1/4	.2470	.2485	.289	.410	.360	.450	1.000	1.125	1.945	1.030	.080	.415	.480	.780	.109	1.500	1.300
5/16	.3095	.3110	.375	.440	.390	.505	1.000	1.125	1.945	1.030	.080	.415	.480	.780	.109	1.500	1.300
3/8	.3720	.3735	.440	.510	.510	.630	1.000	1.125	2.025	1.090	.080	.445	.540	.830	.156	2.000	1.500
7/16	.4345	.4360	.509	.510	.510	.630	1.000	1.125	2.025	1.090	.080	.445	.540	.830	.156	2.000	1.500
1/2	.4970	.4985	.594	.590	.640	.755	1.000	1.125	2.200	1.270	.080	.445	.540	.880	.218	2.250	1.655
9/16	.5595	.5610	.666	.660	.640	.755	1.000	1.125	2.200	1.270	.080	.445	.540	.880	.218	2.250	1.655
5/8	.6220	.6235	.750	.750	.805	.870	1.312	1.500	2.690	1.465	.120	.510	.575	1.000	.250	2.500	1.810
3/4	.7470	.7485	.887	.790	.890	.960	1.312	1.500	2.690	1.465	.120	.530	.595	1.000	.250	2.500	1.810
7/8	.8720	.8735	1.046	.950	1.070	1.150	1.312	1.500	2.860	1.640	.120	.665	.730	1.180	.250	2.875	2.250
1	.9970	.9985	1.219	1.110	1.200	1.280	1.312	1.500	3.010	1.830	.120	.800	.865	1.320	.250	2.875	2.250

Double Acting Specifications – Metric

Nom Pin Dia	Pin Dia A		B ±0.13	C Max	E		F		Max G	H	J	K		Min L	Dia M	N	P
	Min	Max			Min	Max	Min	Max				Min	Max				
5	4.92	4.96	5.54	10.41	9.14	11.43	25.40	28.58	49.40	26.16	2.03	10.54	12.19	19.81	2.78	38.10	33.02
6	5.92	5.96	6.99	10.41	9.14	11.43	25.40	28.58	49.40	26.16	2.03	10.54	12.19	19.81	2.78	38.10	33.02
8	7.92	7.96	9.42	11.68	9.91	12.83	25.40	28.58	49.40	26.16	2.03	10.54	12.19	19.81	2.78	38.10	33.02
10	9.92	9.96	11.86	13.21	12.95	16.00	25.40	28.58	51.44	27.69	2.03	11.30	13.72	21.08	3.97	49.21	38.10
12	11.92	11.96	14.45	13.72	12.95	16.00	25.40	28.58	51.44	27.69	2.03	11.30	13.72	21.08	3.97	49.21	38.10
16	15.92	15.96	19.00	19.18	20.45	22.10	33.32	38.10	68.33	37.21	3.04	12.95	14.61	25.40	6.35	61.91	45.97
20	19.92	19.96	24.08	20.57	22.61	24.38	33.32	38.10	68.33	37.21	3.04	13.46	15.11	25.40	6.35	61.91	45.97
25	24.92	24.96	30.94	28.83	30.48	32.51	33.32	38.10	76.45	46.48	3.04	20.32	21.97	33.53	6.35	71.45	57.15

Dimensions in millimeters

May be ordered with 4 locking balls for additional locking element tensile strength. Special Materials, grip length and longer "C" dimensions upon request.



Pin Dia	Grip Length (inches)											
	0.5	0.75	1	1.25	1.5	1.75	2	2.5	3	4	5	6
Double Acting Ring Handle – Inch – MS17990												
3/16	806200	806201	806202	806203	806204	806205	806206	806208	806209	806211	806213	806215
1/4	806216	806217	806218	806219	806220	806221	806222	806224	806225	806227	806229	806231
5/16	806232	806233	806234	806235	806236	806237	806238	806240	806241	806243	806245	806247
3/8	806248	806249	806250	806251	806252	806253	806254	806256	806257	806259	806261	806263
7/16	806264	806265	806266	806267	806268	806269	806270	806272	806273	806275	806277	806279
1/2	806280	806281	806282	806283	806284	806285	806286	806288	806289	806291	806293	806295
9/16	806296	806297	806298	806299	806300	806301	806302	806304	806305	806307	806309	806311
5/8	806312	806313	806314	806315	806316	806317	806318	806320	806321	806323	806325	806327
3/4	806328	806329	806330	806331	806332	806333	806334	806336	806337	806339	806341	806343
7/8	806344	806345	806346	806347	806348	806349	806350	806352	806353	806355	806357	806359
1	806360	806361	806362	806363	806364	806365	806366	806368	806369	806371	806373	806375
Double Acting T-Handle – Inch – MS17988												
3/16	803400	803401	803402	803403	803404	803405	803406	803408	803409	803411	803413	803415
1/4	803416	803417	803418	803419	803420	803421	803422	803424	803425	803427	803429	803431
5/16	803432	803433	803434	803435	803436	803437	803438	803440	803441	803443	803445	803447
3/8	803448	803449	803450	803451	803452	803453	803454	803456	803457	803459	803461	803463
7/16	803464	803465	803466	803467	803468	803469	803470	803472	803473	803475	803477	803479
1/2	803480	803481	803482	803483	803484	803485	803486	803488	803489	803491	803493	803495
9/16	803496	803497	803498	803499	803500	803501	803502	803504	803505	803507	803509	803511
5/8	803512	803513	803514	803515	803516	803517	803518	803520	803521	803523	803525	803527
3/4	803528	803529	803530	803531	803532	803533	803534	803536	803537	803539	803541	803543
7/8	803544	803545	803546	803547	803548	803549	803550	803552	803553	803555	803557	803559
1	803560	803561	803562	803563	803564	803565	803566	803568	803569	803571	803573	803575
Double Acting L-Handle – Inch – MS17989												
3/16	806000	806001	806002	806003	806004	806005	806006	806008	806009	806011	806013	806015
1/4	806016	806017	806018	806019	806020	806021	806022	806024	806025	806027	806029	806031
5/16	806032	806033	806034	806035	806036	806037	806038	806040	806041	806043	806045	806047
3/8	806048	806049	806050	806051	806052	806053	806054	806056	806057	806059	806061	806063
7/16	806064	806065	806066	806067	806068	806069	806070	806072	806073	806075	806077	806079
1/2	806080	806081	806082	806083	806084	806085	806086	806088	806089	806091	806093	806095
9/16	806096	806097	806098	806099	806100	806101	806102	806104	806105	806107	806109	806111
5/8	806112	806113	806114	806115	806116	806117	806118	806120	806121	806123	806125	806127
3/4	806128	806129	806130	806131	806132	806133	806134	806136	806137	806139	806141	806143
7/8	806144	806145	806146	806147	806148	806149	806150	806152	806153	806155	806157	806159
1	806160	806161	806162	806163	806164	806165	806166	806168	806169	806171	806173	806175

Pin Dia	Grip Length (mm)											
	10	15	20	25	30	40	50	60	70	80	90	100
Double Acting Ring Handle – Metric												
5	855000	855001	855002	855003	855004	855005	855006	855007	855008	855009	855010	855011
6	855012	855013	855014	855015	855016	855017	855018	855019	855020	855021	855022	855023
8	855024	855025	855026	855027	855028	855029	855030	855031	855032	855033	855034	855035
10	855036	855037	855038	855039	855040	855041	855042	855043	855044	855045	855046	855047
12	855048	855049	855050	855051	855052	855053	855054	855055	855056	855057	855058	855059
16	855060	855061	855062	855063	855064	855065	855066	855067	855068	855069	855070	855071
20	855072	855073	855074	855075	855076	855077	855078	855079	855080	855081	855082	855083
25	855084	855085	855086	855087	855088	855089	855090	855091	855092	855093	855094	855095
Double Acting T-Handle – Metric												
5	853400	853401	853402	853403	853404	853405	853406	853407	853408	853409	853410	853411
6	853412	853413	853414	853415	853416	853417	853418	853419	853420	853421	853422	853423
8	853424	853425	853426	853427	853428	853429	853430	853431	853432	853433	853434	853435
10	853436	853437	853438	853439	853440	853441	853442	853443	853444	853445	853446	853447
12	853448	853449	853450	853451	853452	853453	853454	853455	853456	853457	853458	853459
16	853460	853461	853462	853463	853464	853465	853466	853467	853468	853469	853470	853471
20	853472	853473	853474	853475	853476	853477	853478	853479	853480	853481	853482	853483
25	853484	853485	853486	853487	853488	853489	853490	853491	853492	853493	853494	853495
Double Acting L-Handle – Metric												
5	854600	854601	854602	854603	854604	854605	854606	854607	854608	854609	854610	854611
6	854612	854613	854614	854615	854616	854617	854618	854619	854620	854621	854622	854623
8	854624	854625	854626	854627	854628	854629	854630	854631	854632	854633	854634	854635
10	854636	854637	854638	854639	854640	854641	854642	854643	854644	854645	854646	854647
12	854648	854649	854650	854651	854652	854653	854654	854655	854656	854657	854658	854659
16	854660	854661	854662	854663	854664	854665	854666	854667	854668	854669	854670	854671
20	854672	854673	854674	854675	854676	854677	854678	854679	854680	854681	854682	854683
25	854684	854685	854686	854687	854688	854689	854690	854691	854692	854693	854694	854695

Contact customer service for special sizes & materials.

May be ordered with 4 locking balls for additional locking element tensile strength.

KWIK-LOK® PINS